

## ULTRA VAULT TL-30X6



**Special Features:** 2 hour, 350°F factory fire rating.

**Body & Door:** Multi-layered structure that combines outer and inner steel plates, reinforced steel bars and monolithic casting of specialized concrete mixed with ISM's unique anti-penetration composite material. Both body and door are reinforced with ISM's patented anti-penetration alloy grid.

**Bolts & Locking Mechanisms:** Three-way active boltwork. Double-action locking mechanism. Glass plate relocking protection on all locks.

**Locks:** Two UL approved locks. Mechanical or digital combination lock and a high security key lock.

**Interior Fitting:** Adjustable removable shelves. A hole for an alarm system connection - optional.

# ULTRA VAULT TL-30x6

U.L. APPROVED TL-30X6

Six-sided protection against concentrated attacks with mechanical and electrical tools. The same high quality construction as the highest rated safes at an affordable price.

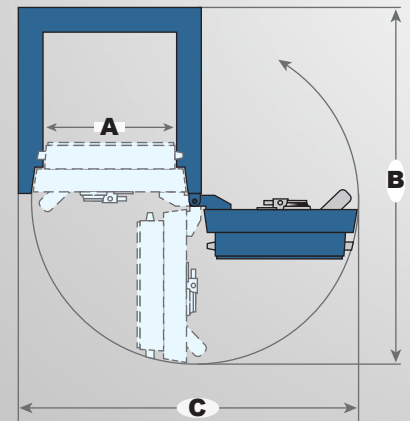
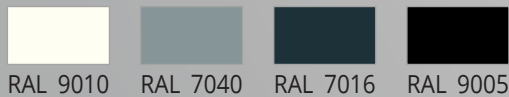
-  Glass Plate Relocking Protection
-  Multi Layered Structure
-  Reinforced Bolt Cylinders
-  4-Way Bolts Engagement
-  Special Alloy Grid
-  Double Locking Protection



Model	Inside Dimensions			Outside Dimensions			Volume CuFt	Weight* Lbs	Door Swing			Shelves
	H	W	D	H	W	D			A	B	C	
UV251916	25	19	16	31.5	25.5	27	4.4	1370	19	51	47	1
UV342018	34	20	18	40.5	26.5	29	7.1	1800	20	54	49	1
UV462018	46	20	18	52.5	26.5	29	9.6	2220	20	54	49	2
UV592018	59	20	18	65.5	26.5	29	12.3	2670	20	54	49	3
UV592023	59	20	23	65.5	26.5	34	15.7	3040	20	60	49	3
UV633218	63	32	18	69.5	38.5	29	21.0	3550	32	66	73	3
UV683626	68	36	26	74.5	42.5	37	36.8	4690	36	78	81	4

- \* Weight Tolerance - 5%.
- \*\* Dimensions Tolerance - ±0.5".
- \*\*\* Add 2" to outside depth for 3-Spokes Operating Handle.
- \*\*\*\* Add 3.55" to outside depth for Pull-Handle.

### Colors:



### Add Ons:

- Left Swing - Optinal - No charge
- Preparation (only) for movement time-lock - No charge - By Request
- Custome interior secured compartments - By Request
- Additional shelves - By Request

